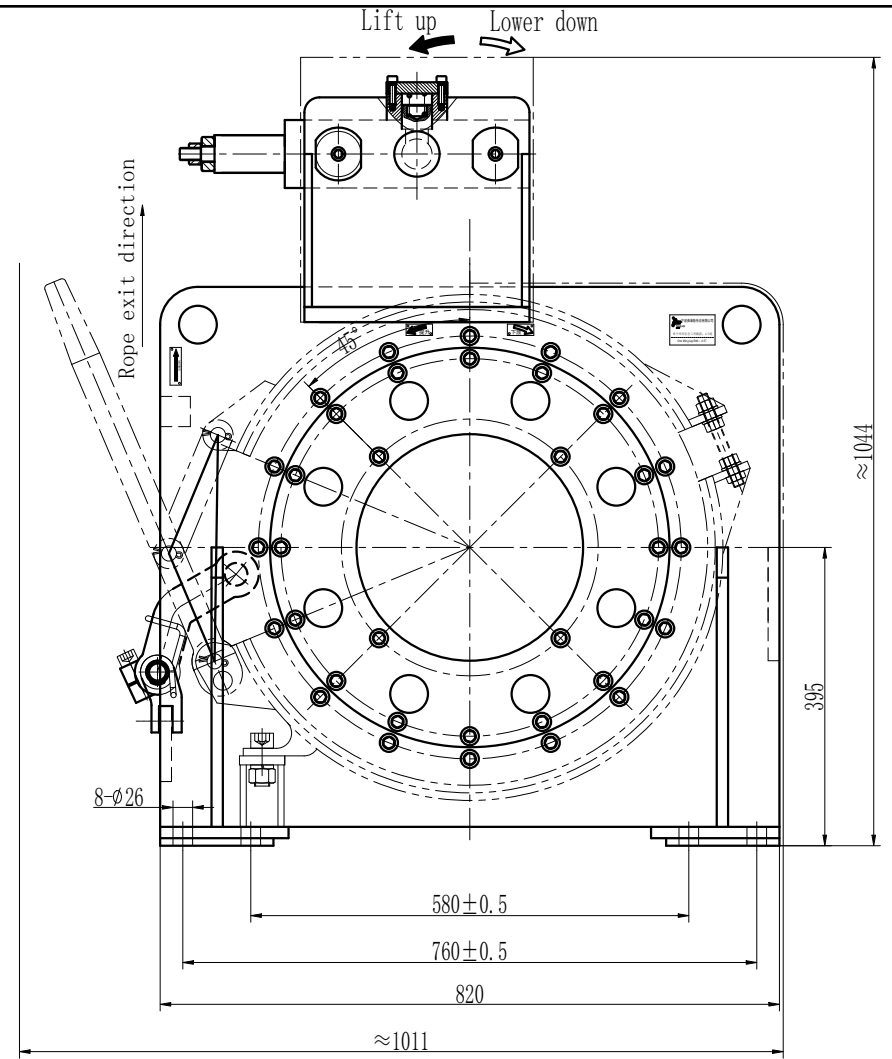
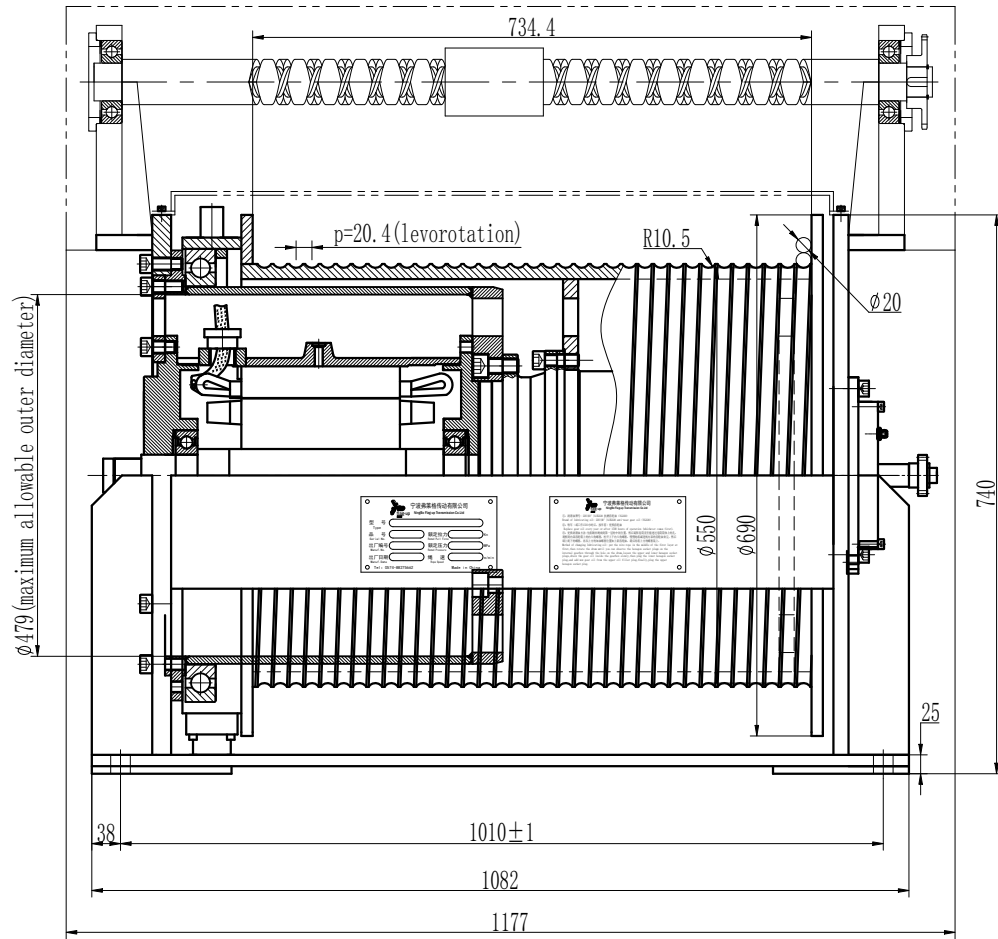


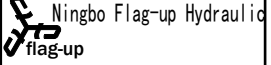
7900109I8  
816010052



借(通)用件登记

Main technical performance parameters of winch

描 图	First layer tension (KN)	50
描 校	Rope speed of the first layer (m/min)	22
旧底图总号	Second layer tension (KN)	46.7
底图总号	Second layer rope speed (m/min)	23.9
签 字	Steel rope diameter (mm)	20
日 期	Number of rope wrapping layers (layers)	2
	Rope capacity of drum (m)	130m+3 circles of safety rope
	Planetary gearbox model	FFT24 W3(i=77.9)
	motor model	YBBP4EJ180(Customer provided)
	Motor Power	6-15KW
	electric system	380V,50Hz
	Motor speed (r/min)	970

						FDJ24-50-130-20-YBBP4EJ180			 Ningbo Flag-up Hydraulic flag-up
mark	number	Partition	changed file	signature	date	pattern mark	weight	proportion	
designer			standard			A.0		1:7	
inspector			quality						
craft			approver						
						Electric winch outline drawing			816010052