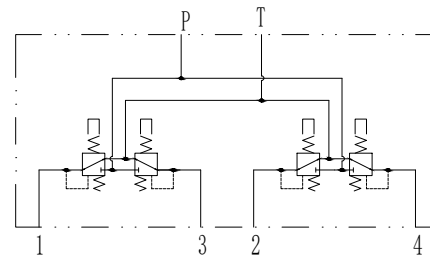
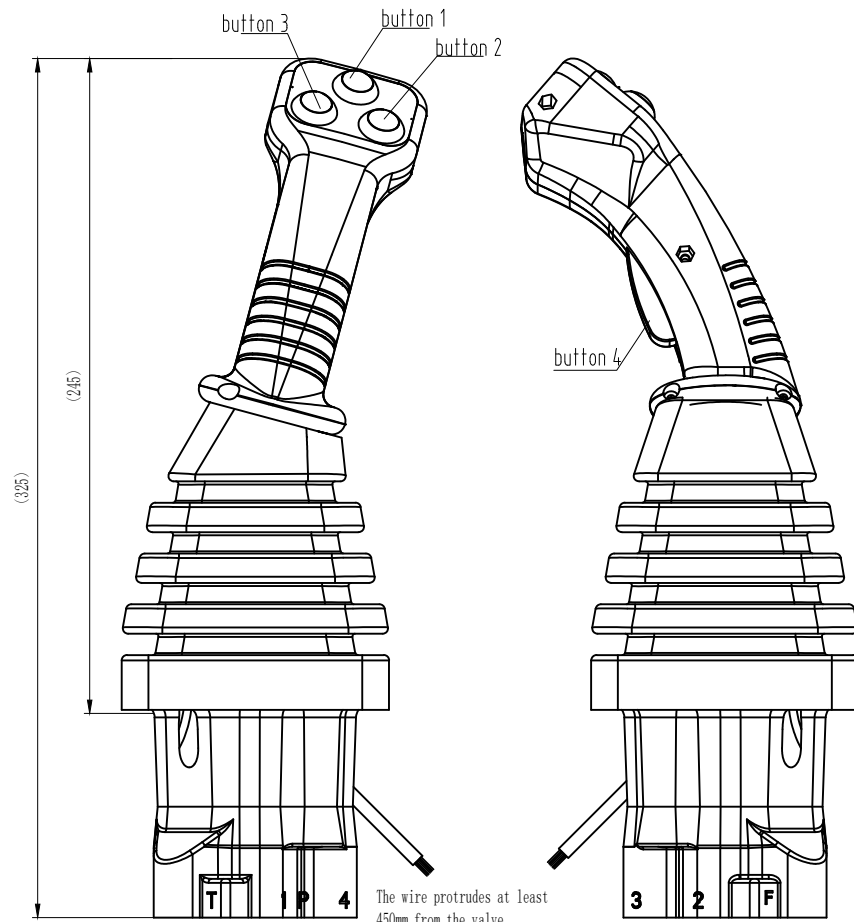
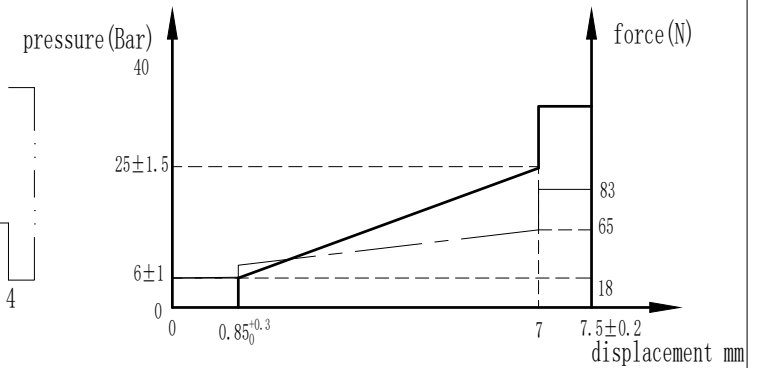


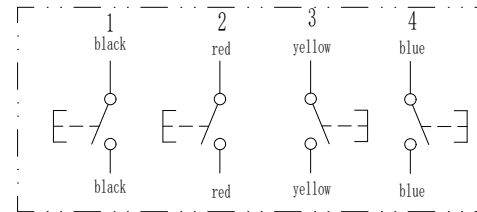
### Hydraulic Schematic



### 1, 2, 3, 4 hole Displacement-pressure curve

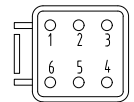


### switch wiring



connector  
JIS D5403  
CA104/CB104  
Button 4  
Connector

1	black	6	red
2	black	5	red
3	yellow	4	yellow

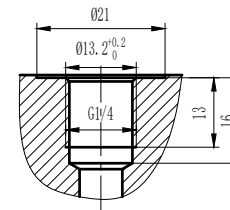


connector: Deutsch DT06-6S  
Button 1, 2, 3 wiring mode

### skills requirement:

1. Maximum pressure: 50 bar
2. Rated pressure: 40 bar
3. Rated flow rate: 15 L/min
4. T port back pressure: 3 bar
5. Buttons (1, 2, 3): 36VDC/3A IP65
6. Button (4): inductive load 4A; resistive load 7A/28VDC IP50
7. Oil used: mineral oil
8. Viscosity range: 10~380 mm<sup>2</sup>/s
9. Oil temperature: -30°C~80°C
10. Cleanliness: NAS level 9
11. Oil port form: G1/4ED

### G1/4ED hole pattern



mark

				FPJ-W28-J4-L1			Ningbo Flag-up Hydraulic Co., Ltd.
mark	number	changed file number	signature	date	pattern mark	weight	
designer			approver			2.2kg	1:1
inspector							
craft					version	visual angle	
standard			date				810900298