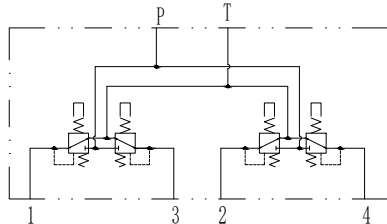
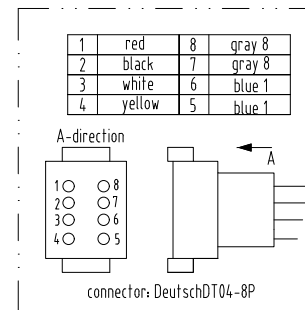
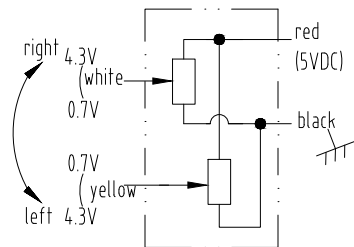


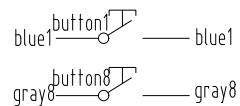
Hydraulic Schematic



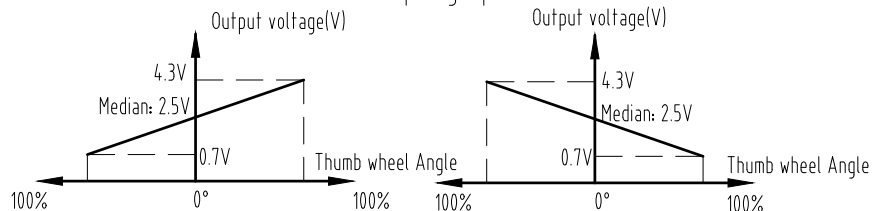
Hall dial electrical schematic



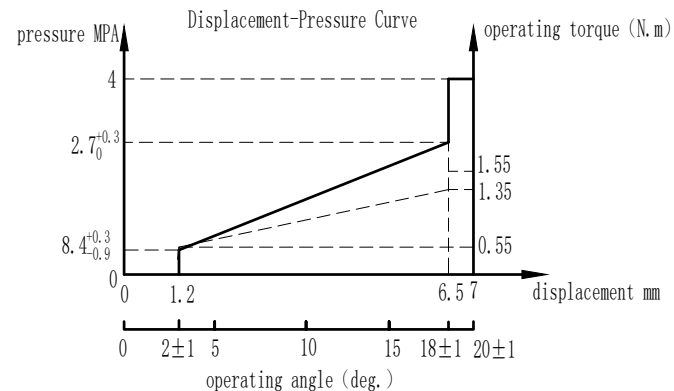
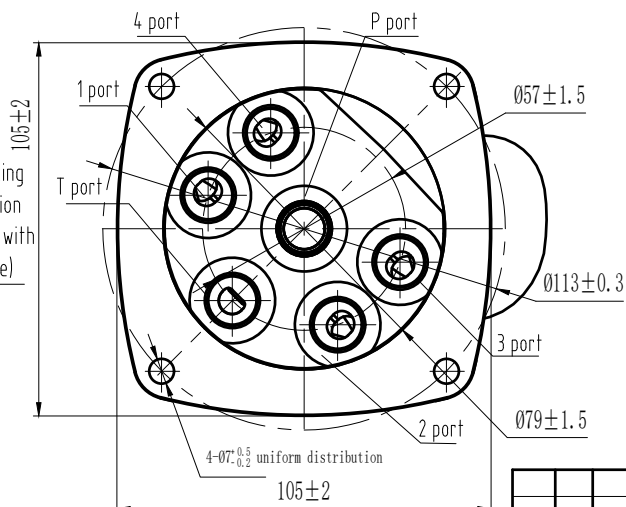
Button electrical schematic diagram



Hall output graph



A-direction



skills requirement:

1. Maximum pressure: 50 bar
2. Rated pressure: 35 bar
3. Rated flow rate: 15 L/min
4. T port back pressure: 3 bar
5. Button switch rating: 3A/28VDC (IP67)
6. Hall element rated voltage: 5VDC
7. Oil used: mineral oil
8. Viscosity range: 10~380 mm²/s
9. Oil temperature: -20℃~80℃
10. Cleanliness: NAS level 8
11. Oil port form: G1/4EO (O-ring seal)
12. Output voltage accuracy requirements: 2.5±0.15V; 0.7±0.05V; 4.3±0.05V

| | | | | | | | | | |
|-----------|--------|---------------------|-----------|------|---------------|--------------|--------------|------------------------------------|--------|
| | | | | | FPJ-V33-14-L1 | | | Ningbo Flag-up Hydraulic Co., Ltd. | |
| mark | number | changed file number | signature | date | designer | approver | pattern mark | | weight |
| | | | | | | | | left handle | |
| | | | | | | | | 810900315 | |
| inspector | | | | | version | visual angle | | 1:1 | |
| craft | | | | | | | | | |
| standard | | | | | | | | | |