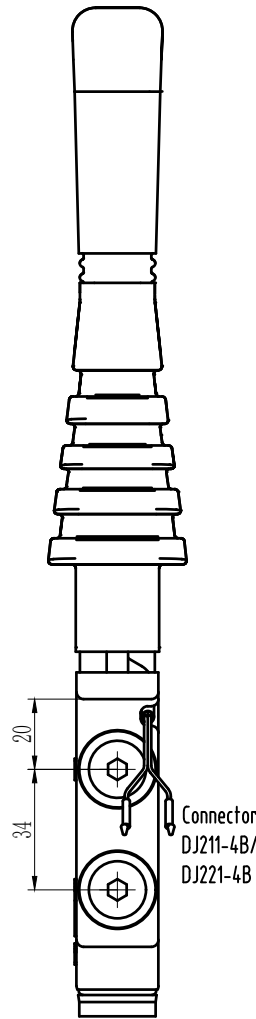
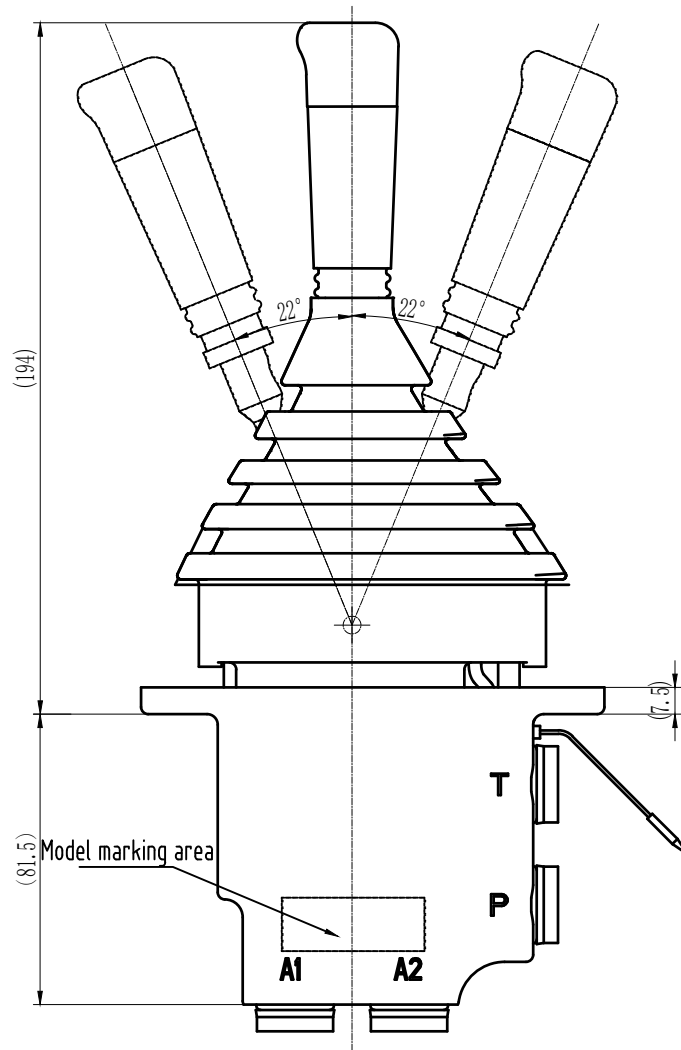
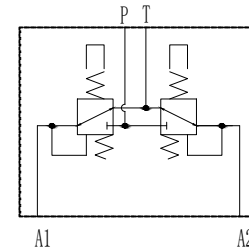


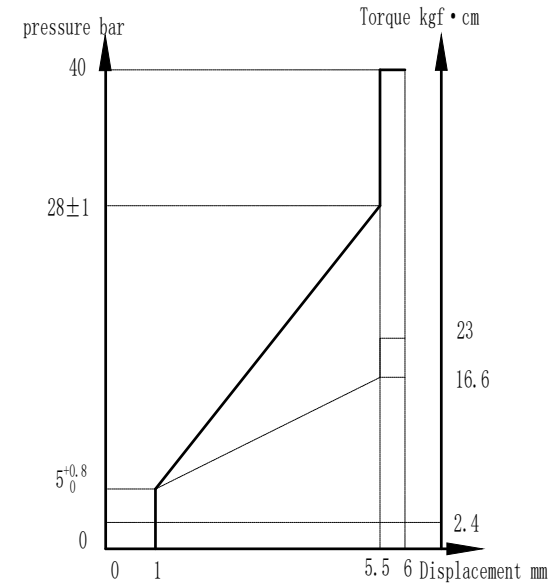
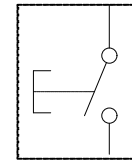
811200001



Hydraulic schematic diagram

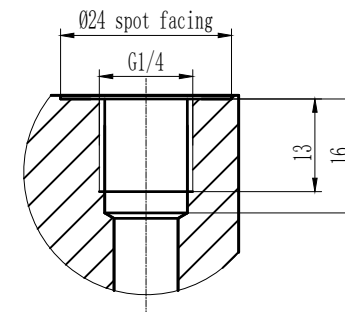


switch button

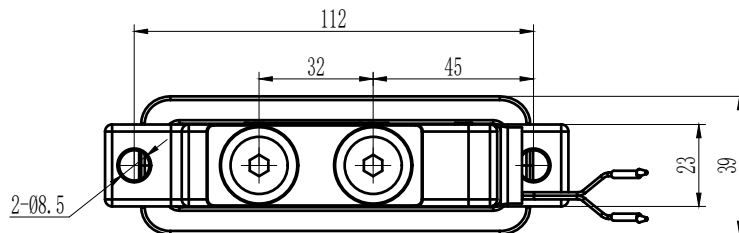


Technical requirements:

1. Maximum pressure: 100bar
2. Rated pressure :40bar
- 3, T mouth back pressure :3 bar
4. Use oil: mineral oil
- 5, viscosity range: 10 ~ 380 mm<sup>2</sup>/ s
- 6, oil temperature: -20℃ ~ 90℃
7. Cleanliness: NAS Level 9



Oil port size



				FPJ-C4-1-E1					
								Operating valve	
								811200001	
number	signature	date	mark	changed	number	weight	proportion		
designer	approver		pattern				1:1		
inspector									
craft									
standard	date	2020.3.14	version		version				